

WMF2905GA

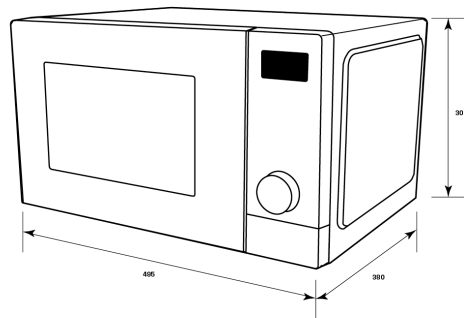
29L dark grey countertop microwave oven, Inverter, 900W power, touch and dial control, and auto-return turntable.

Features

- Inverter technology
- Quick and easy-to-use dial control
- One touch Quick start
- Auto-return turntable
- 900 watts power
- 9 auto menus
- 10 power levels



Microwave
WMF2905GA



Product Width (mm)	495 x 302 x 380
--------------------	-----------------

IMPORTANT
These dimensions are a guide only. All measurements are in millimetres (mm).
For complete installation instructions, refer to the manual provided with product.

© 2023 Electrolux Home Products Pty Ltd ABN 61 004 702 241. WMS_RMS_Applia_Plan_WM2905GA_Ap23

Product

Total height (mm) - 302, Total width (mm)
- 495, Total depth (mm) - 380

Internal

Turntable diameter (mm) - 288